

MX

ECOBULK MX

Perfect for transport and storage.



- Approved for filling products of a maximum density of 1.9
- Perfectly suited for high bay warehousing
- Can be stacked up to 4-high
- Reinforced, warp resistant tubular steel grid jacket
- Additional corner guards to protect the inner container
- Available in a variety of equipment packages

Please do not hesitate to contact us regarding any technical concerns or questions.

SCHÜTZ
PACKAGING SYSTEMS

www.schuetz.net

MATERIAL

Inner bottle

- Extrusion blow-moulded HDPE
- SMP protective barrier (optional)
- Additional UV and light protection of the filling product (optional)

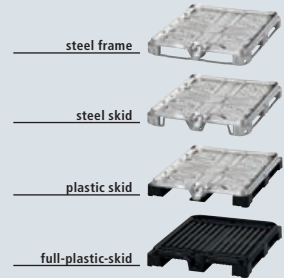
Outer container

- Welded tubular steel grid, galvanized

Bottom plate

- To provide stability and to facilitate minimum residual contents from the inner container

PALLETS (4-way entry)



CERTIFICATIONS

UN 31 HA1/Y (optional)

- Maximum density 1.9

SCHÜTZ FOODCERT (optional)

- System certification for food (contains materials that are FDA compliant)

CAPACITY

MX 640

- 640 litres (170 gal)

MX 820

- 820 litres (220 gal)

MX 1000

- 1,000 litres (275 gal)

MX 1250

- 1,250 litres (330 gal)

FILLING OPENING

- DN 150 with screw cap
- DN 225 with screw cap
- DN 400 with clamp-ring lid (only for MX 1000)

OUTLET VALVES

- Integrated butterfly valve DN 50, DN 80
- Screwable butterfly valve DN 50, DN 150
- Screwable ball valve DN 50

DIMENSIONS

MX 640

- 1,200 x 800 x 1,000 (L x W x H)

MX 820

- 1,200 x 1,000 x 1,000 (L x W x H)

MX 1000

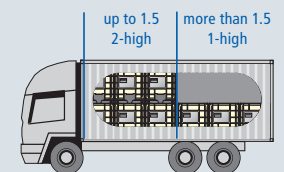
- 1,200 x 1,000 x 1,160 (L x W x H)

MX 1250

- 1,200 x 1,000 x 1,350 (L x W x H)

DYNAMIC LOAD

Filled ECOBULK according to the specific weight of the filling goods



WEIGHT

MX 640

- 48 kg (plastic)

MX 820

- 51 kg (steel), 54 kg (plastic)

MX 1000

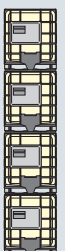
- 56 kg (steel), 59 kg (plastic & full-plastic)

MX 1250

- 65 kg (steel), 68 kg (plastic)

STATIC LOAD

Max. 4-high



Packaging - Specification ECOBULK

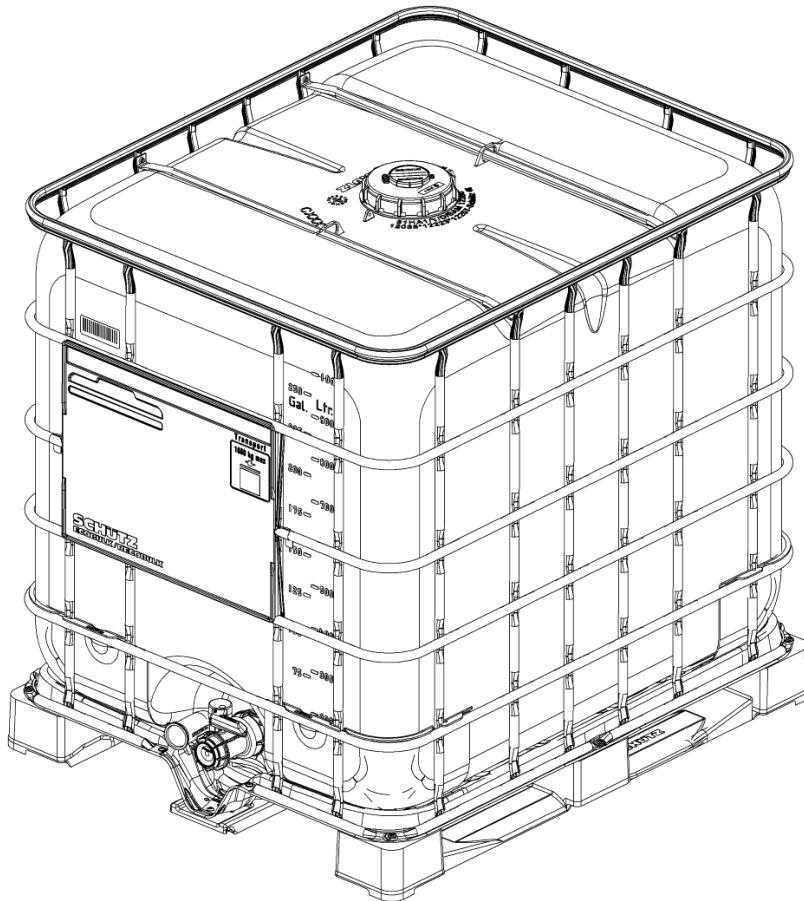


Transportcontainer ECOBULK 275 gal.
MX275 UN Nat/6"B TP
Bfly 50 00 Cam 1PCA/Plast skid
2-Plt XL:XL/TI

Schuetz Container Systems Inc.
200 Aspen Hill Road
NORTH BRANCH NJ 08876
USA

Article-No. 4020528

Date Jan 13, 2020
Page 1 / 3



This picture is for illustration purpose only and does not necessarily correspond to the specified product.

Weights and measures

Nominal Capacity	1.000 l	275 gal US
Brimful Capacity	1.060 l	280.027 gal US
Length	1.200 mm	47.240 in
Width	1.000 mm	39.370 in
Height with pallet	1.160 mm	45.670 in
Total weight approx.	58.989 kg	130.049 lbs US

Pallet

Pallet type	Plastic-skidpallet
Opening height	min. 90mm, 4-way entry

Outer container

Packaging - Specification

ECOBULK



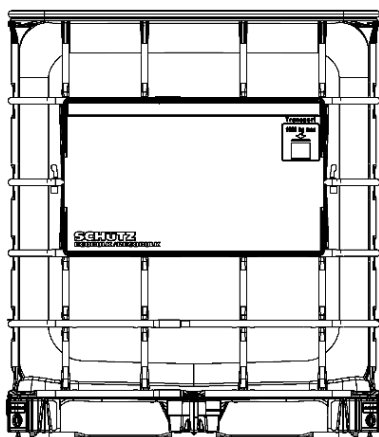
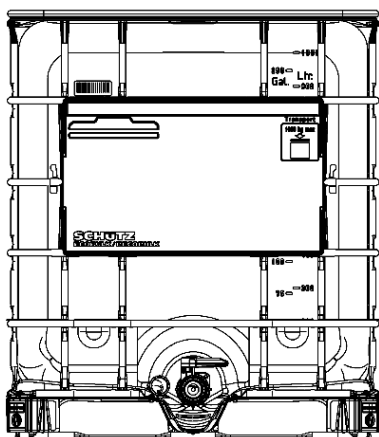
Transportcontainer ECOBULK 275 gal.
 MX275 UN Nat/6"B TP
 Bfly 50 00 Cam 1PCA/Plast skid
 2-Plt XL:XL/TI

Schuetz Container Systems Inc.
 200 Aspen Hill Road
 NORTH BRANCH NJ 08876
 USA

Article-No. 4020528

Date Jan 13, 2020
Page 2 / 3

Grid	Steel, galvanized
Bottom plate	Steel, galvanized
Corner protector	black
Label plate	extra large - 8 field, with Schütz-Ticket
additional label plate	backside extra large - 8 field

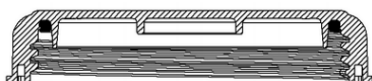


Inner container

Rectangular blow molded tank of high density polyethylene
 Container PE-HD, natural

Filling opening

Screw cap DN150 / 6", PE-HD, black
 O-ring gasket TPE



Plug without Plug

Packaging - Specification ECOBULK

SCHÜTZ

Transportcontainer ECOBULK 275 gal.
MX275 UN Nat/6"B TP
Bfly 50 00 Cam 1PCA/Plast skid
2-Plt XL:XL/TI

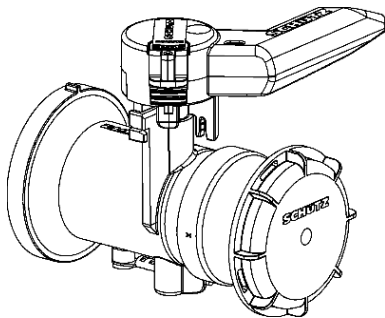
Schuetz Container Systems Inc.
200 Aspen Hill Road
NORTH BRANCH NJ 08876
USA

Article-No. 4020528

Date Jan 13, 2020
Page 3 / 3

Discharge opening

Outlet valve	integr.butterfly-valve DN50/2"
Case	PE-HD
Connection thread	camlock
Flap gasket / Ball gasket	PP
Handle color	blue, Handle protection
Screw cap	PE-HD
Screw cap gasket	PE, foamed
Screw cap color	natural



Features

UN-Marking

UN31HA1/Y/MM YY/USA+AA2572/~3671/2033/1040L/60KG/100KPA SCHUETZ#

Heavy metals

Concentration level of heavy metals (Pb, Cd, Cr VI and Hg) in packaging does not exceed 100 ppm

Delivery

Ready for filling. The customer or filler is responsible for testing the material compatibility of the filling material with the packaging

User information:

By implementing and continually improving extensive preventive programmes, SCHÜTZ strives towards minimising the potential contamination risk for filling material in line with the current state of the art and in accordance with recognised and applicable quality and system standards. In industrial manufacturing, however, the possibility of particles arising cannot be fundamentally and entirely eliminated. Specifically for plastic and steel packaging, unavoidable friction during opening and closing as well as static charging of the packaging contribute to the development of particles and/or the possibility of particles being attracted. Such particles can then also invariably penetrate the packaging interior. With the goal of minimising the risk of particle formation and transmission into packaging, users are recommended – particularly during further processing – to keep packaging closed wherever possible and to keep the number of opening and closing procedures as low as possible. In the case of sensitive filling materials or filling material applications (e.g. for food/pharmaceutical products, paint or electro-chemicals), it is also recommended that the filling material is filtered on removal or prior to further processing.

SCHÜTZ reserves the right to change the construction, technology, design and material of the product or individual components without notice. The dimensions and weights given here are approximate and can vary according to the configuration of the individual components. For other product details and operating information concerning the correct handling of our packaging, please consult our Handling Guide.